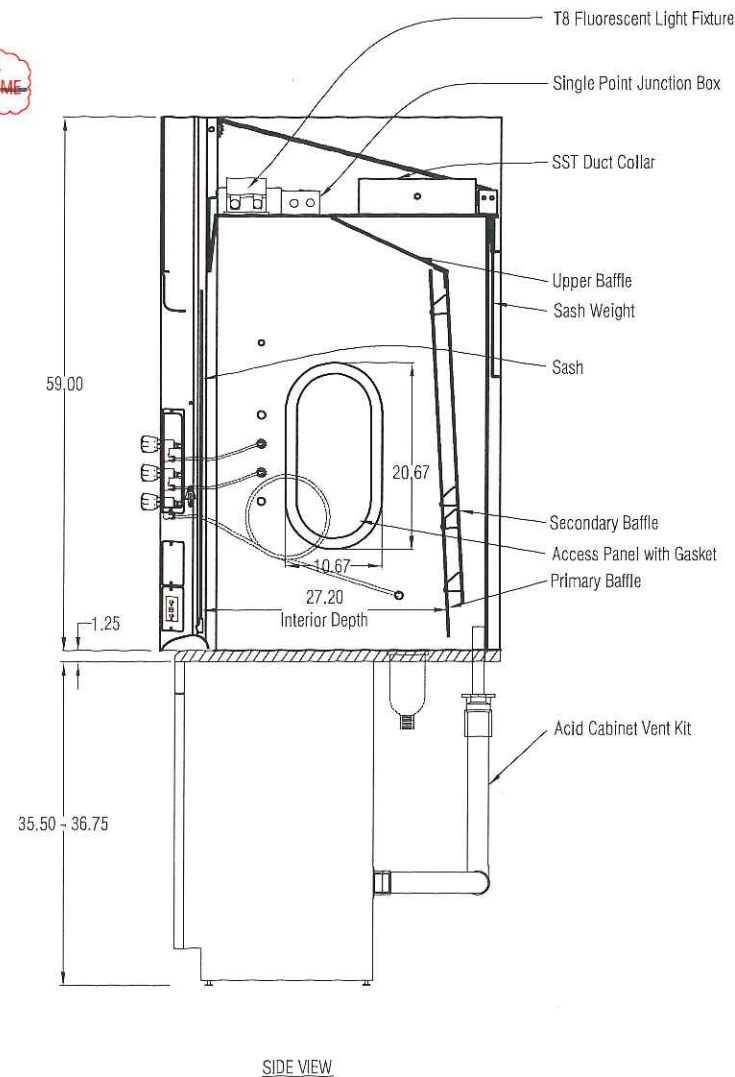


PLEASE SPECIFY IF HOOD WILL
BE PREPARED FOR VAV



GENERAL DESCRIPTION

- 6' Protector XStream Laboratory Hood
Model: 110610000-SPECIAL Quantity: 1
- Exterior Superstructure**
* Double Wall Construction * 18 Gauge Cold Rolled Steel
- Interior Superstructure**
* Galvanized Steel (standard)
- Left / Right Facia**
* Powder Coated Steel * Color: Glacier White
- Liner Material**
* Molded Composite Sheet
- Side Panels**
* Both Sides * Removable * Color: Glacier White
- Baffles**
* Molded Composite Sheet
- Interior Access Panels**
* Right and Left Sides
* Gasket Provided
- Corner Post with Access Covers**
* Right and Left Sides
* 18 Gauge Cold Rolled Steel
- Air Foil**
* Cold Rolled Steel * Powder Coat Finish
- Sash**
* Combination Sash
* Tempered Safety Glass
* Counter Weighted and Balanced
* Chain and Sprocket
* Sash Stop @ 18"

- Electrical Fixtures**
* Fluorescent Light and Tubes w/ Switch

* Duplex, 115VAC / 60HZ / 20A/ GFCI

- Alarm / Monitor**
* None Provided
- Wiring**
* Fume Hood Wired at Factory
* Electrical Connection made inside 4x7 Junction Box
* 100-115V, 50/60 Hz

- VAV Preparations**
* None Requested (PLEASE SPECIFY BRAND AND MODEL NUMBER)
- Service Fixtures**
* Labconco * Color-Coded Hooded Handle * Front Loading

Symbol	Service	Color
CW	Cold Water	Green
Air	Compressed Air	Orange
Vac	Vacuum	Yellow

- Plumbing**
* Connections Made with Swagelock Compression Fittings
* Final connection by others
* Pre-Piped to Valve Outlet
- * Air and Vac Piping is 1/4" Copper Tubing
- * Cold Water Gooseneck Piping is 3/8" Copper Tubing

- Work Surface**
* Black Epoxy Work Surface # 9503601
- Sink**

- * Cup Sink Left Rear # 4005200
- Cabinets**
* 36" Standard Storage Cabinet, Left # 9900100
* 36" Acid Cabinet w/ Polyethylene Liner, Right # 9901100
* Color: Glacier White
* Acid Vent Kit # 3591100

- Assembly and Crating**
* Pre-Assembled
* Palletized

SCALE: Scaled to fit

Wisconsin Hood

FUME HOODS for:



Labconco Corporation
8811
Kansas City, Mo 64112-2696
(800) 821-5525
www.labconco.com

No.	Date

Date: 02-08-16
Drawing #: 110610000-Special
Drawn By: Brad Kramer
Checked By: _____
Approved By: _____

Sheet No. _____
Log Number: XXX-XX

LOC Order Number: XXXXX