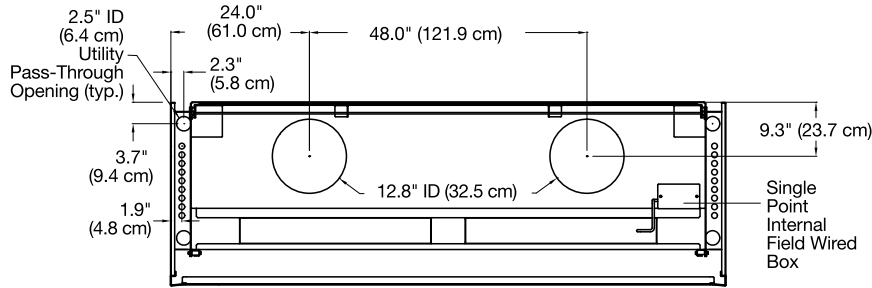
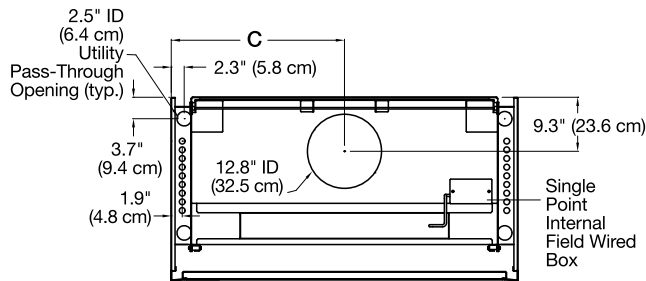


Protector® XStream® Laboratory Fume Hoods

Dimensional Data

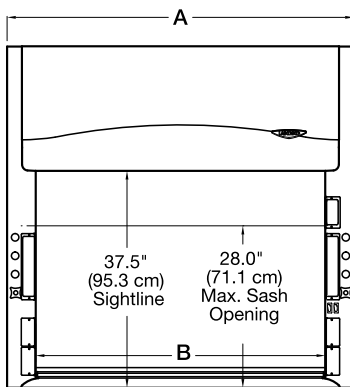


TOP
(8' Hood)

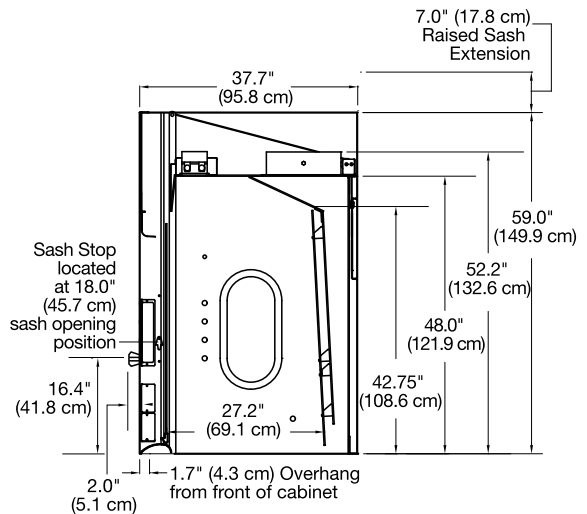


TOP
(4', 5' & 6' Hoods)

	A	B	C
4' Hood	48.0" (121.9 cm)	38.1" (96.8 cm)	24.0" (61.0 cm)
5' Hood	60.0" (152.4 cm)	50.1" (127.3 cm)	30.0" (76.2 cm)
6' Hood	72.0" (182.9 cm)	62.1" (157.7 cm)	36.0" (91.4 cm)
8' Hood	96.0" (243.8 cm)	86.1" (218.7 cm)	—



FRONT



SIDE

Contact Labconco at (800) 821-5525 or (816) 333-8811 or visit labconco.com for BIM Revit® and detailed AutoCAD® drawings. See page 21 for trademark information.